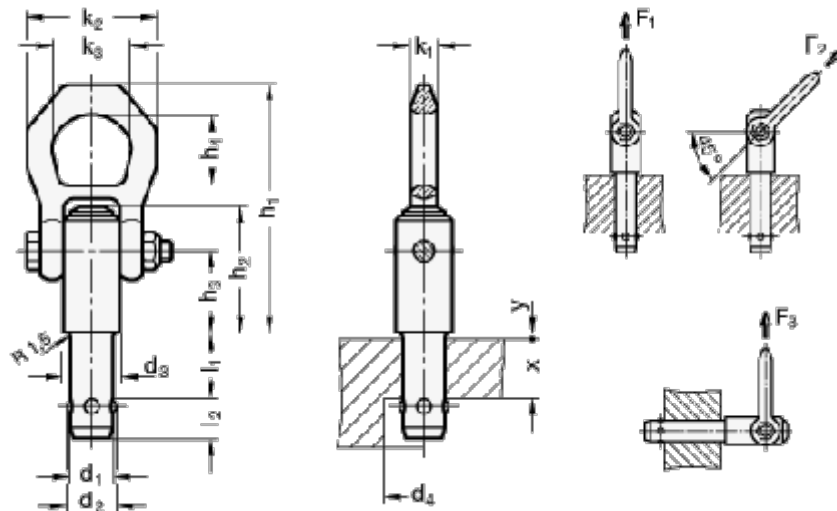


Article number: 2011301650NI

Description: E+G Lifting pins in Stainless steel,
GN 1130-16-50-NI

Measures



d1	= 16	h4	= 27	y = 1.5
d2	= 18.600000000000001	l1	= 50	
d3	= 25	l2	= 15.1	
d4	= 19.2	k1	= 11	
F1/F2/F3 load in kN	= 4,8/4,5/4,1	k2	= 49	
h1	= 92.5	k3	= 30	
h2	= 47.5	Weight (g)	= 350	
h3	= 31	x	= 15	